



WC - VAIA

Reserve tissue holder - Dark Platinum matte

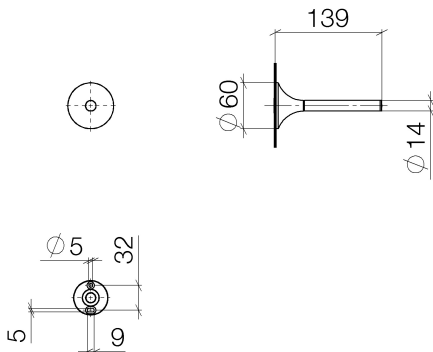
Article number: 83 590 809-99

- Width 2-3/8"
- Height 2-3/8"
- Flange diameter 2-3/8"
- 5-1/2" Projection



Dark Platinum matte

## Dimensional drawing



All dimensions in mm / inch = mm x 0,0394



WC - VAIA

Reserve tissue holder - Dark Platinum matte

Article number: 83 590 809-99

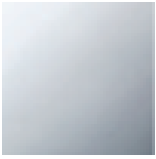


## WC - VAIA

Reserve tissue holder - Dark Platinum matte

Article number: 83 590 809-99

### Other surface finishes



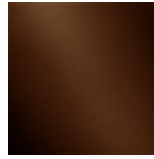
polished chrome  
83 590 809-00



platinum matte  
83 590 809-06



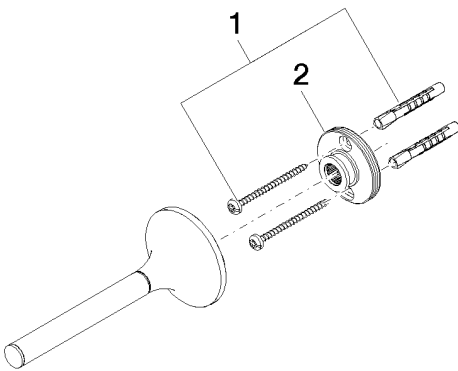
Dark Brass matte  
83 590 809-16



Dark Bronze matte  
83 590 809-17

More custom finish options are available via special production (xTra Service). Please see our finish matrix for availability and pricing or contact a Dornbracht representative.

### Spare parts list



| Number | Item Number | Designation | Number of units |
|--------|-------------|-------------|-----------------|
|        |             |             |                 |